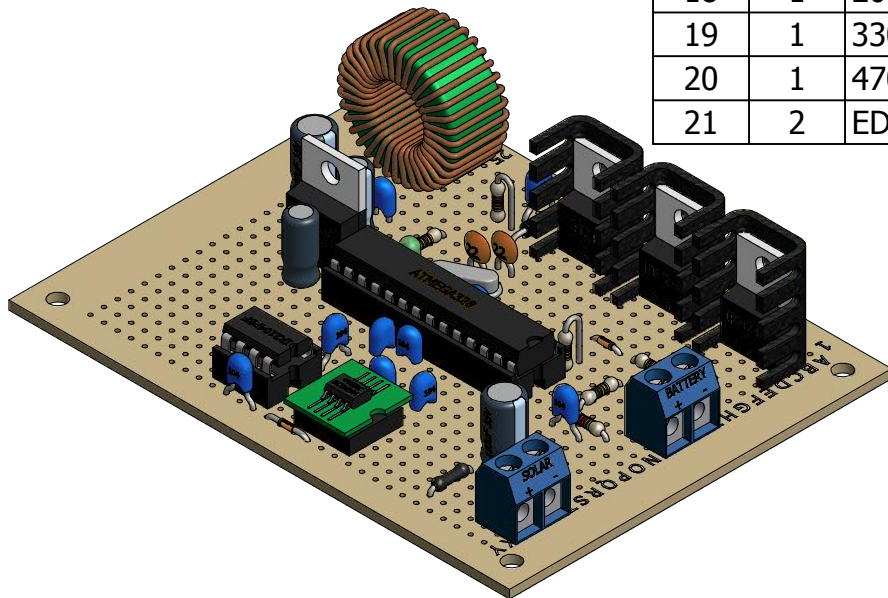


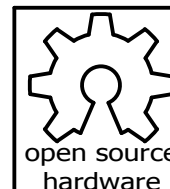
PARTS LIST

ITEM	QTY	VENDOR No.	VENDOR	DESCRIPTION
1	1	309-1098-ND	Digi-Key	ADAPTER 8-SOIC TO 8-DIP
2	1	1001	SEE NOTES	ARDUINO BASIC, 5V Circuit
3	1	493-1318-ND	Digi-Key	CAP ALUM 100UF 35V 20% RADIAL
4	1	493-1284-ND	Digi-Key	CAP ALUM 220UF 16V 20% RADIAL
5	6	478-5741-ND	Digi-Key	CAP CER 0.1UF 50V 20% RADIAL
6	1	UF4007CT-ND	Digi-Key	DIODE FAST 1000V 1A DO-41
7	2	1N4148FS-ND	Digi-Key	DIODE SGL JUNC 100V 4.0NS DO-35
8	3	HS106-ND	Digi-Key	HEAT SINK TO-220 .375" COMPACT
9	1	MAX4173HESA+-ND	Digi-Key	IC AMP CURR-SENSE HI-SIDE 8-SOIC
10	1	IR2104PBF-ND	Digi-Key	IC DRIVER HIGH/LOW SIDE 8DIP
11	1	AE9986-ND	Digi-Key	IC SOCKET STRAIGHT 8POS TIN
12	1	M8852-ND	Digi-Key	INDUCTOR TORD HI AMP 33UH VERT
13	1	754-1595-ND	Digi-Key	LED GREEN CLEAR 3MM 570NM
14	3	63J6752	Newark	N CHANNEL MOSFET, 60V, 30A, TO-220
15	1	12FR005E-ND	Digi-Key	RES .005 OHM 2W 1% Metal Element
16	1	10KQBK-ND	Digi-Key	RES 10K OHM 1/4W 5% CARBON FILM
17	1	2.2KQBK-ND	Digi-Key	RES 2.2K OHM 1/4W 5% CARBON FILM
18	1	200QBK-ND	Digi-Key	RES 200 OHM 1/4W 5% CARBON FILM
19	1	330QBK-ND	Digi-Key	RES 330 OHM 1/4W 5% CARBON FILM
20	1	470KQBK-ND	Digi-Key	RES 470K OHM 1/4W 5% CARBON FILM
21	2	ED2609-ND	Digi-Key	TERM BLOCK 5.08MM VERT 2POS PCB



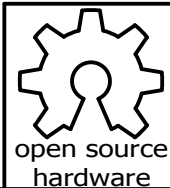
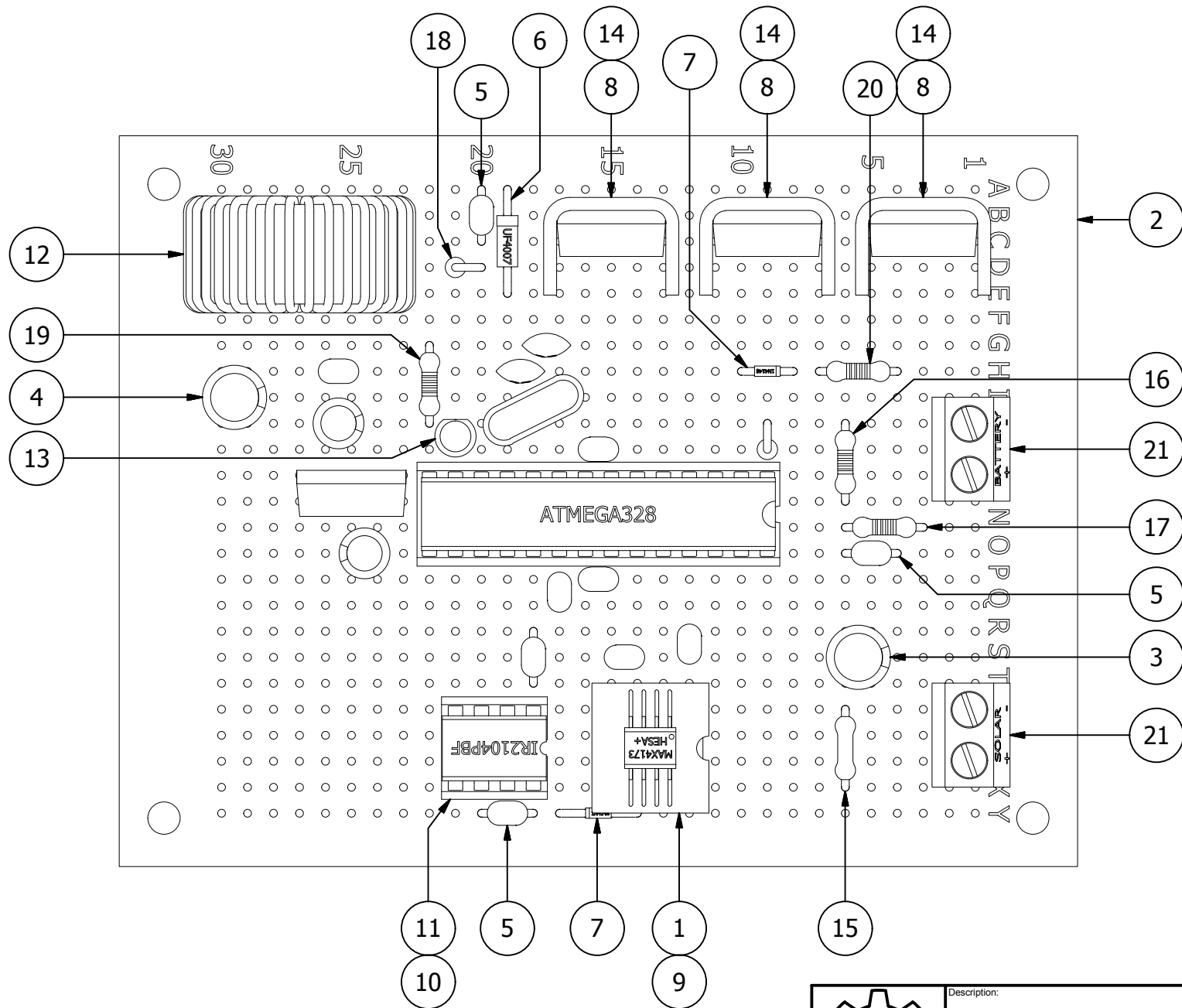
NOTE:

This assembly is based upon the ARDUINO BASIC board.
Reference the 1001 DRAWING SET for build details and BOM.
www.gertweb.com/arduino

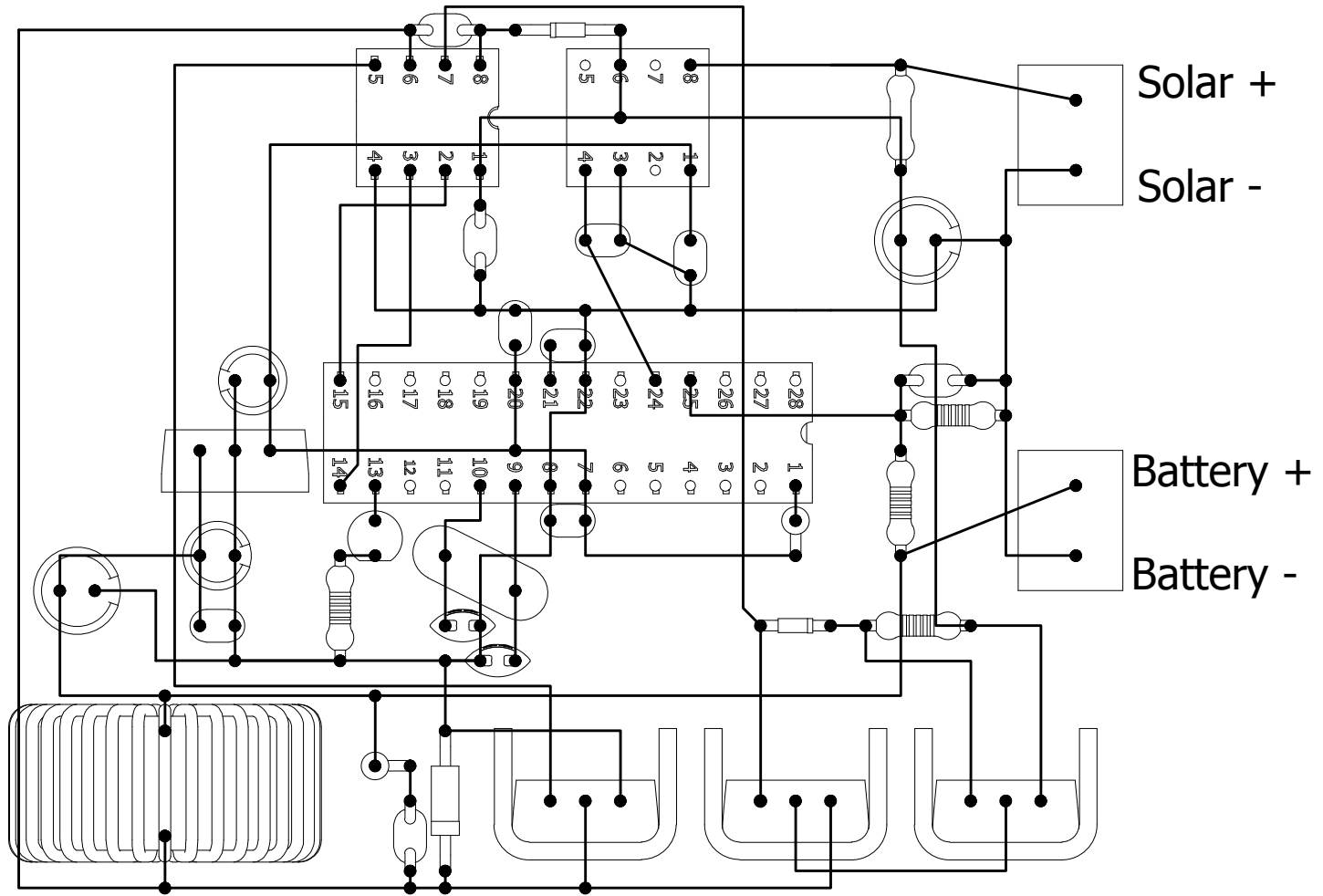


open source
hardware

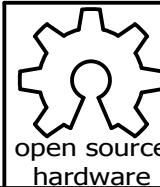
Description:			
ARDUINO PEAK POWER BATTERY CHARGER			
DWG No.:	1003	Rev:	00
Drawn by:	D Smith	Sheet:	1 of 4
Date:	8/19/2012		



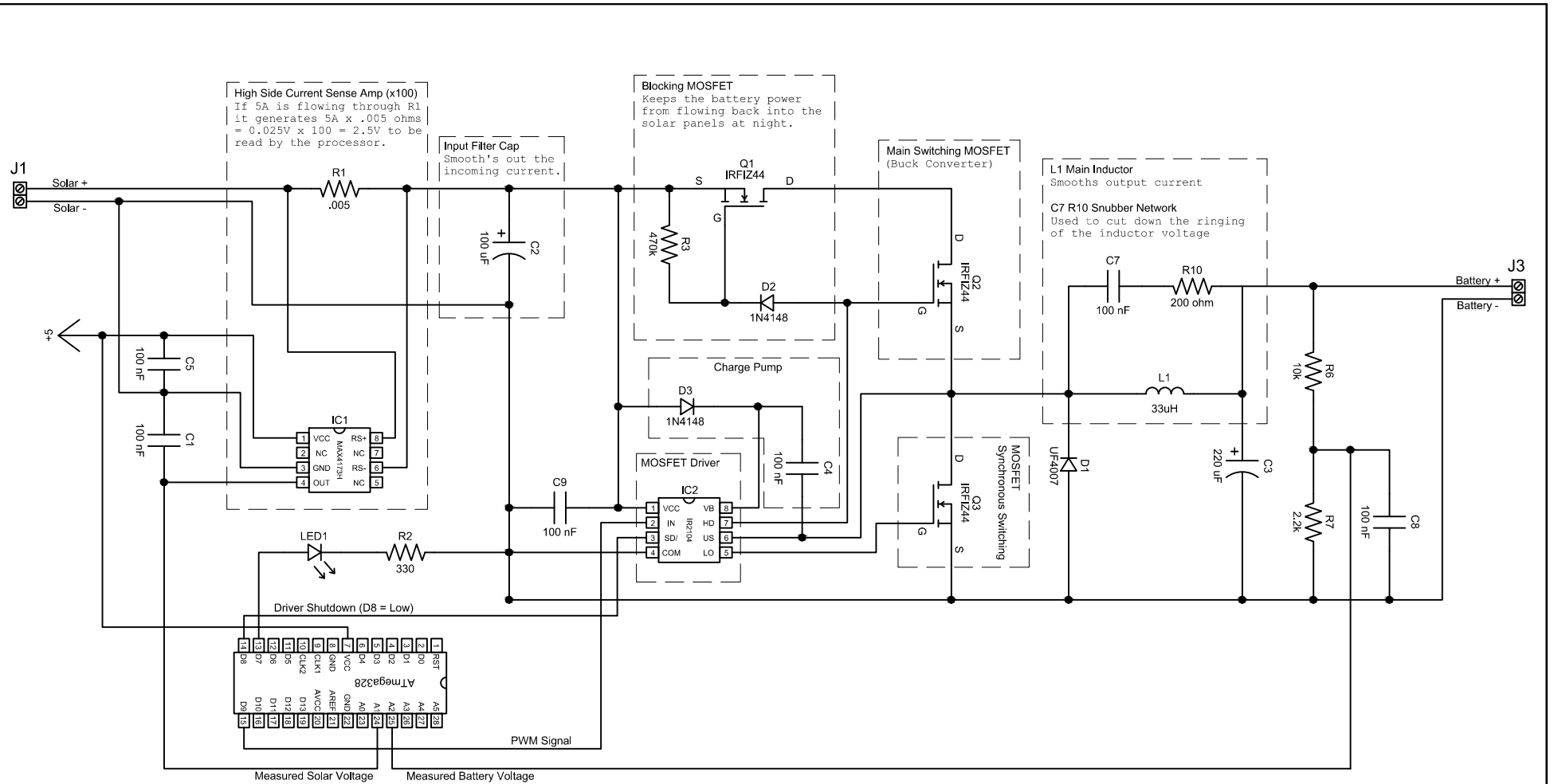
Description:			
ARDUINO PEAK POWER BATTERY CHARGER			
DWG No.:	1003	Rev:	00
Drawn by:	D Smith	Sheet: 2 of 4	Date: 8/19/2012



BOTTOM VIEW



Description:			
ARDUINO PEAK POWER BATTERY CHARGER			
DWG No.:	1003	Rev:	00
Drawn by:	D Smith	Sheet: 3 of 4	Date: 8/19/2012



NOTE:

This assembly is based upon the ARDUINO BASIC board.
Reference the 1001 DRAWING SET for additional schematic instructions.
www.gertweb.com/arduino

 open source hardware	Description:	
	ELECTRICAL SCHEMATIC BATTERY CHARGER	
	DWG No.:	1003
	Rev:	00
Draw by:	D Smith	Sheet: 4 of 4
		Date: 8/16/2012