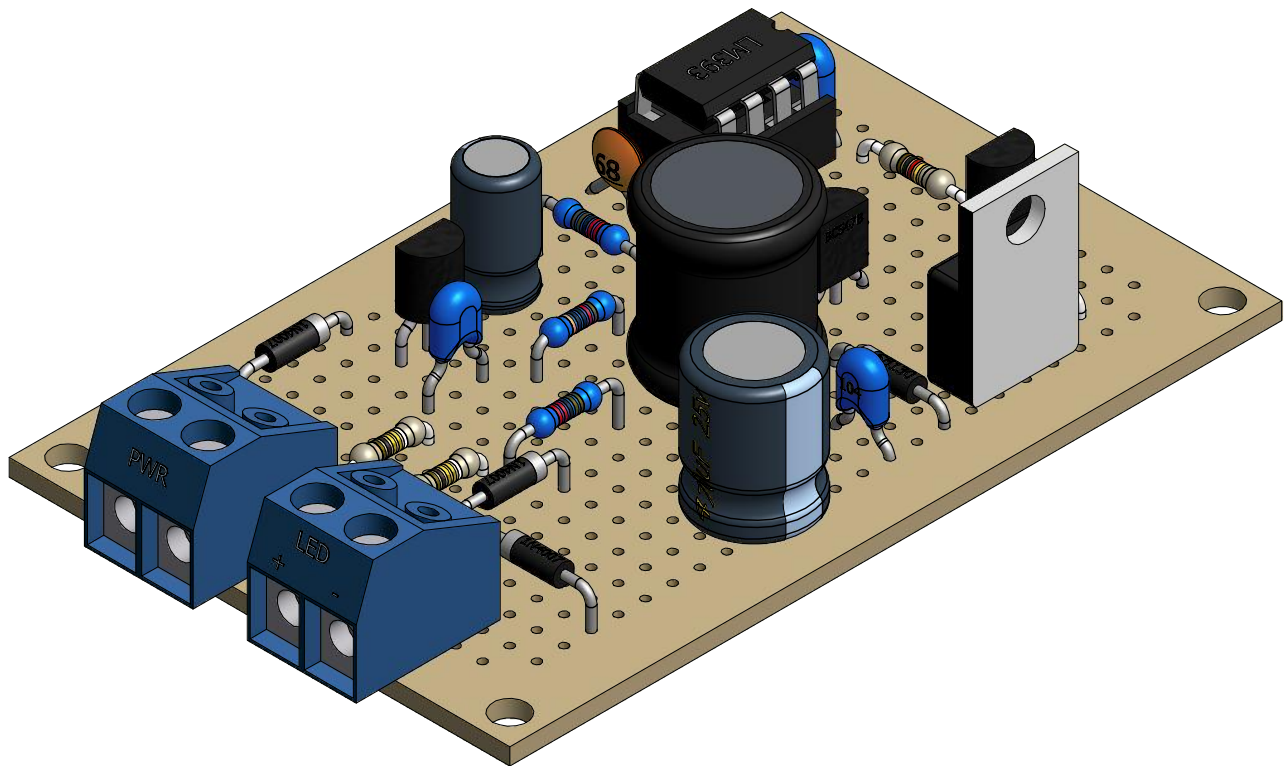
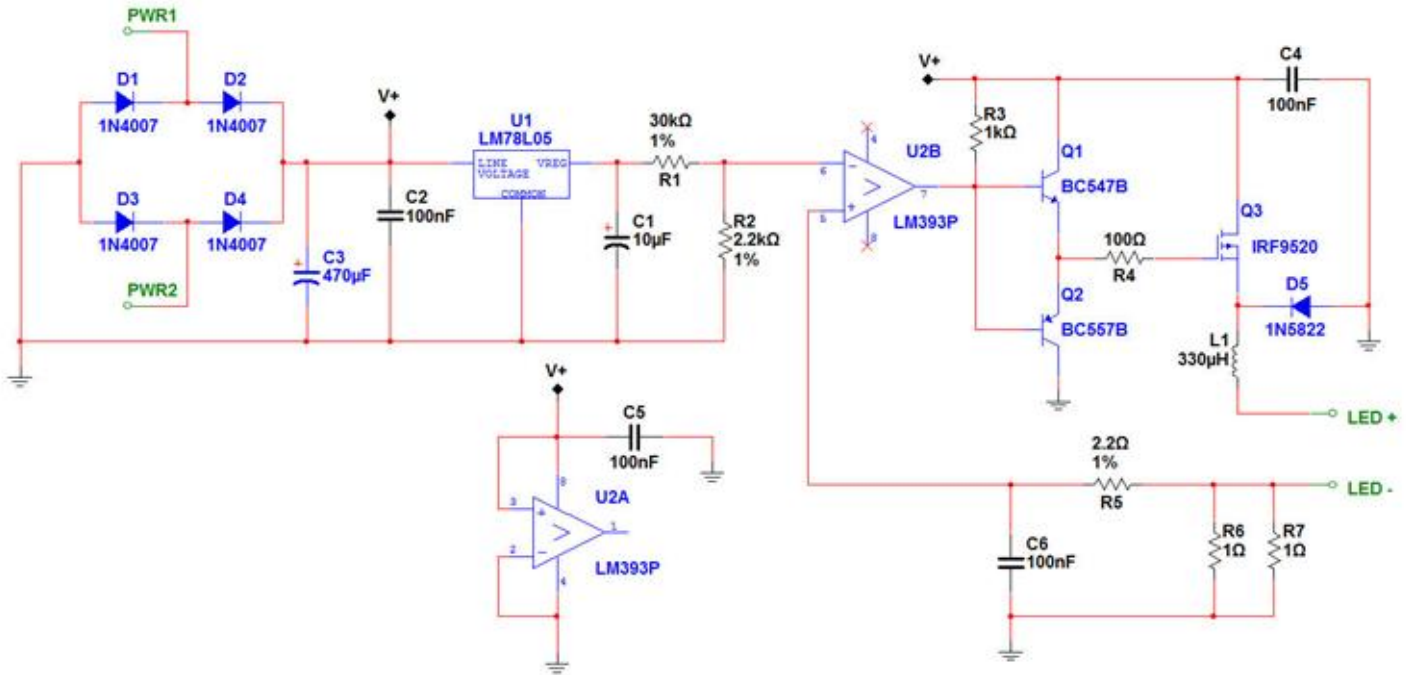


# Constant Current LED DRIVER

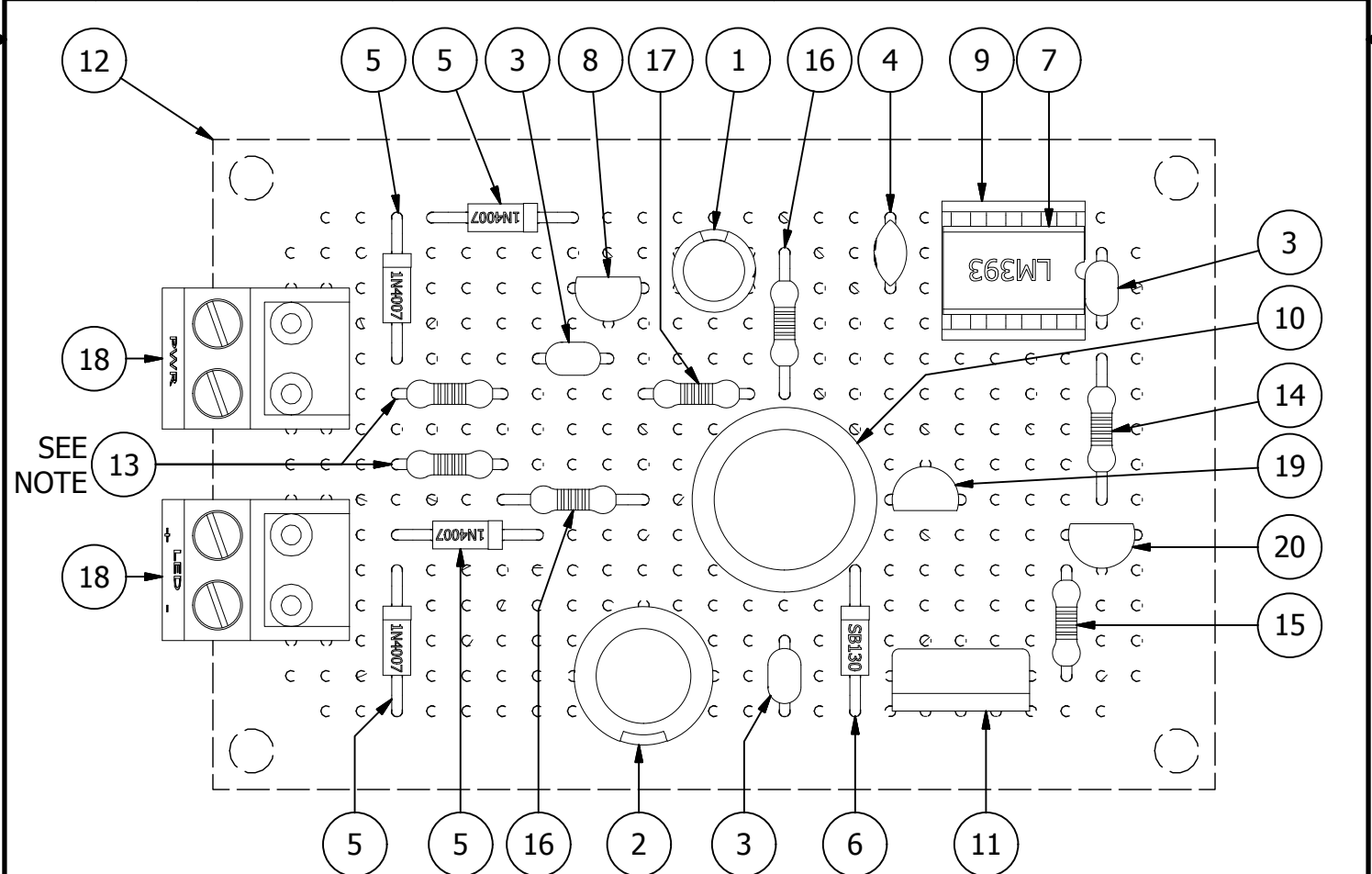
Powers four 1W or two 3W LED's.  
High efficiency Switch Mode operation.  
Driven from 6-14v AC or 9-18v DC source.  
350mA or 700mA configurations.

Can also be used for fixed current NiCd/NiMH battery charging circuit.



PARTS LIST

ITEM	QTY	VENDOR	VENDOR NUMBER	DESCRIPTION
1	1	Digi-Key	399-6094-ND	CAP ALUM 10UF 100V 20% RADIAL
2	1	Digi-Key	P5155-ND	CAP ALUM 470UF 25V 20% RADIAL
3	3	Digi-Key	478-5741-ND	CAP CER 0.1UF 50V 20% RADIAL
4	1	Digi-Key	490-4165-ND	CAP CER 68PF 1KV 5% RADIAL
5	4	Digi-Key	1N4007FSCT-ND	DIODE GPP 1A 1000V DO41
6	1	Digi-Key	SB130-TDICT-ND	DIODE SCHOTTKY 1A 30V DO-41
7	1	Digi-Key	296-1398-5-ND	IC DUAL DIFF COMP 8-DIP (LM393)
8	1	Digi-Key	LM78L05ACZXACT-ND	IC REGULATOR 5V 0.1A 5% TO-92
9	1	Digi-Key	AE9986-ND	IC SOCKET STRAIGHT 8POS TIN
10	1	Digi-Key	445-3805-ND	INDUCTOR 330UH 1.5A RADIAL
11	1	Digi-Key	IRF9520PBF-ND	MOSFET P-CH 100V 6.8A TO-220AB
12	1	RadioShack	276-149	PC Board; 371 Holes
13	2	Digi-Key	S1QCT-ND	RES 1 OHM 1/4W 5% CF MINI
14	1	Digi-Key	1.0KQBK-ND	RES 1.0K OHM 1/4W 5% CARBON FILM
15	1	Digi-Key	CF14JT100RCT-ND	RES 100 OHM 1/4W 5% CARBON FILM
16	2	Digi-Key	RSB-2.2KRCT-ND	RES 2.2K OHM 3W 1% WW AXIAL
17	1	Digi-Key	KCACT-ND	RES 30K OHM 1/4W 1% MF AXIAL
18	2	Digi-Key	ED2609-ND	TERM BLOCK 5.08MM VERT 2POS PCB
19	1	Digi-Key	BC547BTACT-ND	TRANS NPN 45V 100MA TO-92
20	1	Digi-Key	BC557BTACT-ND	TRANSISTOR PNP 45V 100MA TO-92



**NOTE:**  
 FOR 350mA OUTPUT MOUNT (1) 1Ω RESISTOR, FOR 700mA OUTPUT MOUNT (2) 1Ω RESISTORS.

# Bottom View

PC Board Not Shown for Clarity

